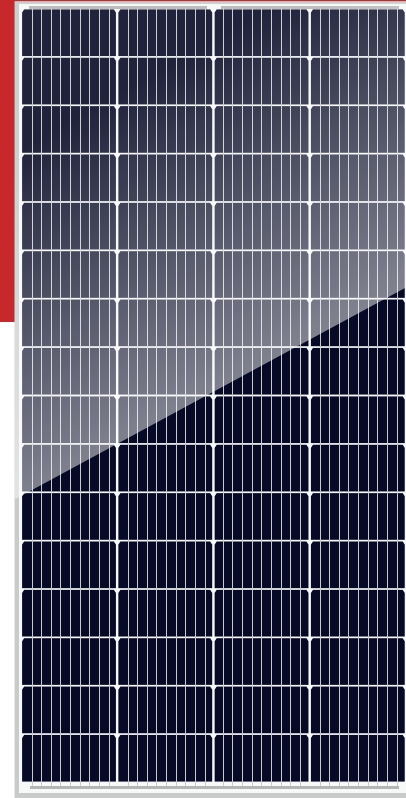




200 Watt

AS200M6-64

166mm 64Cells PV Module



Electrical Characteristics

Module Type	AS200M6-64
	STC
Maximum Power- Pmax(W)	200
Open Circuit Voltage - Voc(V)	21.98
Short- Circuit Current - Isc(A)	11.28
Voltage at Pmax -Vmp(V)	19.74
Current at Pmax - Imp(A)	10.13
Module Efficiency -ηm(%)	19.01
Power Tolerance(W)	0 ~ +3%
Maximum System Voltage(V)	1000Vdc (IEC / UL)
Maximum Series Fuse Rating (A)	15A

STC : Irradiance 1000W/m², Cell Temperature 25°C, AM 1.5

Mechanical Specifications

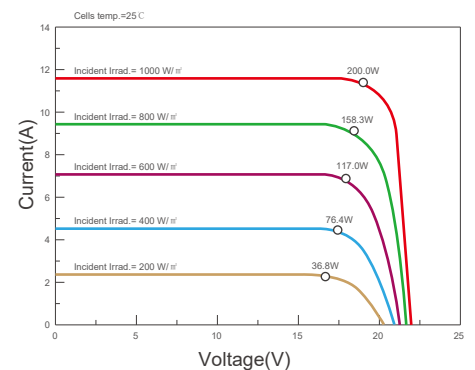
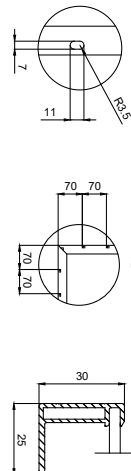
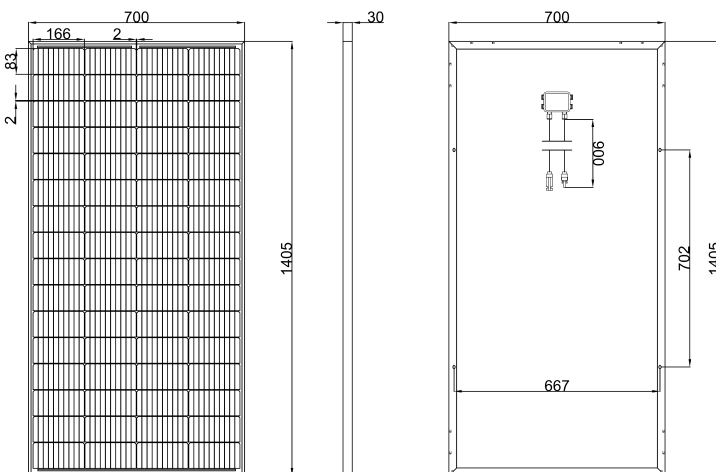
External Dimensions	1405*700*30mm
Weight	11.67kg
Solar Cells	Mono crystalline 166X83mm (4X16pcs)
Front Glass	3.2 mm tempered glass
Frame	Aluminum
Junction Box	IP67
Output Cables	90cm, length can be customized
Connector	MC4 Compatible
Mechanical Load	Front Side Max. 5400Pa, Rear Side Max. 2400Pa

Temperature Characteristics

Pmax Temperature Coefficient	-0.350%/C
Voc Temperature Coefficient	-0.270%/C
Isc Temperature Coefficient	+0.048%/C
Operating Temperature	-40~+85 C
Nominal Operating Cell Temperature(NOCT)	45±2 C

Packing Configuration

Module Type	AS200M6-64
Module Dimensions	1405*700*30mm
Pallet Dimensions	1430*1130*820mm
Pallet Weight	450kg
Pieces/Pallet	36pcs



Specs are subject to change without further notification